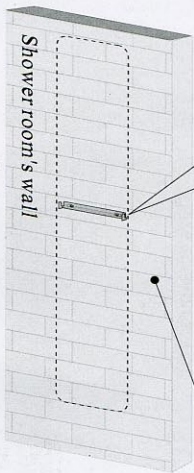


ELEGANCE

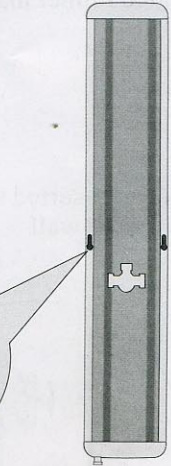
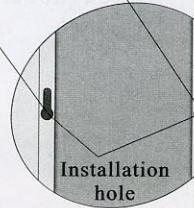
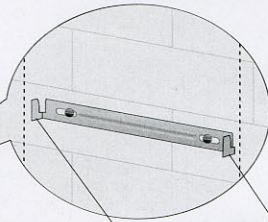
Hanging Instruction

Horizontal Hanging instruction:

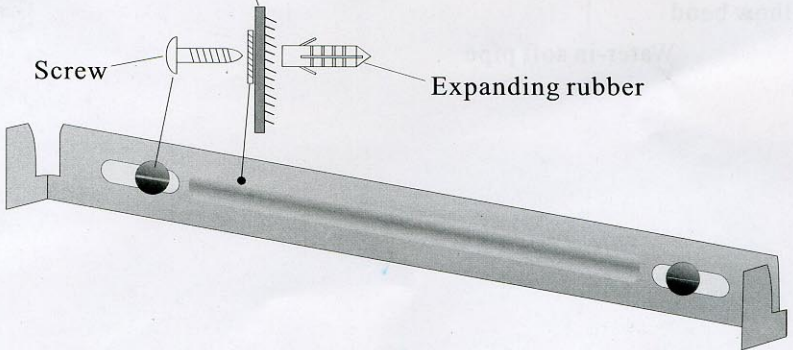
Confirm the installation place and height, fix the horizontal hangers on the wall. The shower panel can be used after hanging it.



Picture of shower room's wall



Picture of shower panel's back side



Screw

Expanding rubber

Horizontal hanger

Linking instruction

Hidden Linking instruction:

Join the elbow bend to the faucet inserted into the wall together according to the picture, then join the hot and cold water in soft pipe together with two elbow bends. The shower panel can be put into use after hanging it (use the sealed rubber mat in the link)

